

GTC111-2000 SPFL

FLOWLINE TRANSFER PRINTING CALENDER

The GTC-SP Flowline has been designed for the efficient production of single piece transfer printing, but is also capable of cut-sheet repeat jobs or roll-roll transfer printing. With sharp edge definition, high processing speeds, less waste and fewer re-prints, this calender is designed for maximizing your profitability.

The machine is optimized for ease of operation and is suitable for all kind of PES textiles. The blank pieces are laid down on the infeed table and transported to the back of the calender. Here the printed pieces can easily be gathered and sorted by size and print. Longer tables are available at request. Tension control for the papers is set by air pressure. Winding of the textile roll is done on a low tension winder which provides uniformity from the first to the last meter. A state of the Art Touch screen panel provides easy control.

It is a typical Klieverik; robust design offering a long life time at low operating cost, the best oil-based heating system for very high temperature consistency and an ingenious belt tracking system for first time right production.

- ▶ Brilliant colours
- ▶ High print definition
- ▶ Reproducibility



GTC111-2000 SPFL

GTC111-2000 SP FLOWLINE TRANSFER PRINTING CALENDER

Transfer printing calender for single pieces of textile. Working width 1800 mm. The drum is electrically heated with oil as the carrier medium for the highest quality print and reproducible products.

CHARACTERISTICS:

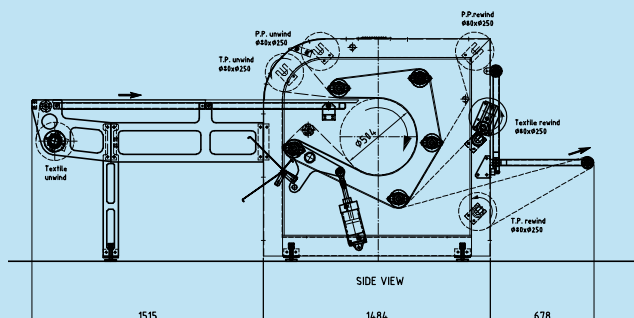
- Roller width 2000 mm, working width 1800 mm
- Drum diameter 500 mm
- Mechanical speed 0,4-5 m/min
- Infeed table (table length $\pm 1,6$ m/63") , in height adjustable and with paper protection guard
- Guiding bars for easy paper feeding and single sheet production
- Out-feed section that can be folded away for easy access when replacing rolls
- Protection paper unwind and winding position incl. tensioning device and shafts
- Transfer paper unwind and winding position incl. tensioning device and shafts
- Textile unwinding position incl. tensioning device and one shaft (suitable for 1" (2,54 cm) cores)
- Driven low tension textile winder, for winding tension sensitive or stretch textiles. Consisting of:
 - Low tension fabric unwind incl. shaft with cones
 - Felt covered contact roller
 - Frequency controlled electrical drive
 - Differential speed setting +/- for contact roller; free loop winding possible
- Long and high quality Nomex belt
- Stable belt guidance system to prevent movement of the material
- Short heating up time
- Pneumatic brakes
- Touch screen operation, 5.7 inch colour touch screen panel for enhanced machine operation and remote monitoring.

THE PANNEL OFFERS:

- Recipe creation, storage and retrieval for defined reproducible process settings
- Display of the significant selected parameters
- Remote monitoring from PC/Tablet or Smartphone via Internet connection
- Password protection/operator mode
- Cooling down timer

FUME EXTRACTOR

- Removable exhaust bar underneath the table
- Integrated ventilator
- Exhaust pipe on top of the calenders side panel



TECHNICAL SPECIFICATIONS

DIMENSIONS / WEIGHT

Machine width	3156 mm/124,3"
Machine length	3677 mm/144,8"
Machine height	1457 mm/57,4"
Machine weight	± 2350 kg

DIAMETER / WIDHT

Heating cylinder diameter	500 mm/19,7"
Maximum working width	1800 mm/70,9"
Substrate unwind diameter	250 mm/9,8"
Substrate rewind diameter	250 mm/9,8"
Maximum transfer paper width	1800 mm/70,9"
Transfer paper unwind diameter	250 mm/9,8"
Transfer paper rewind diameter	250 mm/9,8"
Maximum protective paper width	1830 mm/72"
Protective paper unwind diameter	400 mm/15,8"
Protective paper rewind diameter	250 mm/9,8"
Internal core diameter	76 mm/3"

TABLE / FUME EXTRACTOR

Lenght infeed table SP FL	160 cm/63"
Lenght extended table SP FL	100 cm/39,4"
Outer diameter connection fume extractor	70 mm/2,76"

BLANKET

Printing blanket width	2000 mm/78,7"
Printing blanket length	4550 mm/179,1"
Printing blanket thickness	7 mm/0,28"
Arc of contact blanket-cylinder	210°

TEMPERATURE/SPEED/AIR/PRESSURE/OIL

Maximum temperature	240°C
Mechinal speed	0,4-5 m/min
Air consumption	0,1 Nm ³ /hr
Air	6 bar max./G 1/4"
Maximum linear pressure	-
Oil capacity heating cylinder	215 l.

ELECTRICAL INFORMATION

Total installed power kVA	37 kVA
Amps required at 208/400/480 V	104/55/34 Amp.
Power heating	36 kW
E-consumption (estimate)	-
Power main drive	0,55 kW
Voltage	400 V
Number of phases	3ph
Frequency	50 Hz

